

*Technical Data sheet*

**„C+S HCl-Safety-drum“**



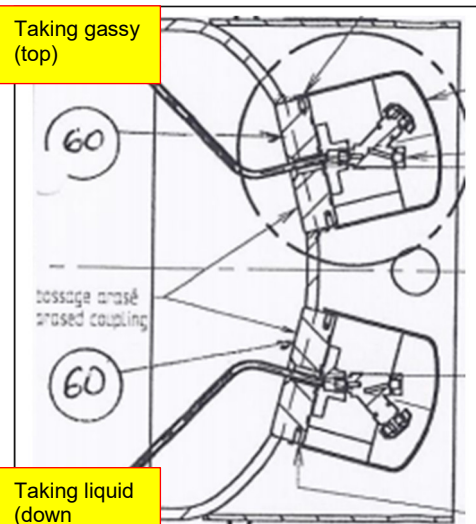
The patented C+S safety barrel for hydrogen chloride gas has two safety pressure lids. In the event of a leak in the valve area, these can be sealed gas-tight up to 150 bar within a few minutes. The safety pressure lid enables quick action in the event of danger. Standard transport lids are used for transport, which are secured with 2 screws.

**Our standard transport lid is secured with 2 screws**

**The C+S safety Drum has the following dimensions**

Liter / Volume	990 Liter
Length	2160 mm
Diameter	900 mm
Height *	1120 mm
Height incl. transport pallet	
Tara weight drum	1132 kg
Tara weight pallet	108 kg
Total net weight	1240 kg
Net weight HCL gas	660 kg
<b>Total gross weight</b>	<b>1900 kg</b>
<b>Valve connection height with pallet</b>	
Taking gassy (top)	890 mm
Taking liquid (down)	450 mm

Taking gassy (top)



Taking liquid (down)